



## WT G4SG

SMART DIAPHRAGM  
GAS METER

# WT G4SG

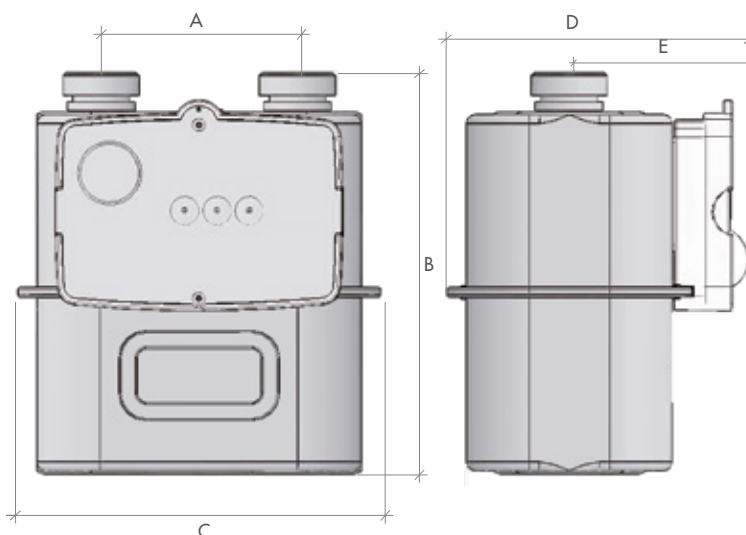
- Compliance with European Standards EN1359 and OIML R137
- Compliance with Italian Standard UNI-TS 11291
- Integrated digital temperature sensor
- Integrated GPRS / GSM / SMS transmission module
- Remote Firmware Update
- Metrological unit battery life: >16 years
- Communication battery life: >8 years (GPRS)
- Installation in ATEX Zone 2 area
- Optical interface for configuration
- IP Rating: IP 55

## PERFORMANCES ACCORDING TO MID 2014/32/EU

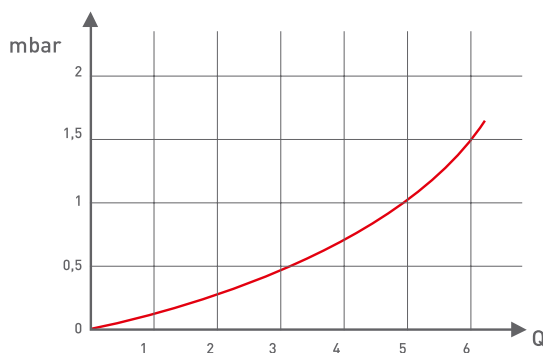
GAS METER MODEL	MAXIMUM CAPACITY $Q_{max}$ ( $m^3/h$ )	2014 MINIMUM CAPACITY $Q_{min}$ ( $m^3/h$ )	TRANSITIONAL RANGE $Q_t$ ( $m^3/h$ )	CYCLIC VOLUME ( $dm^3$ )	MAXIMUM PRESSURE (bar)	TEMPERATURE RANGE ( $^{\circ}C$ )	AMBIENT TEMPERATURE ( $^{\circ}C$ )
G4SG	6	0,04	0,6	1,2	0,5	-25 ÷ 55	-25 ÷ 55

## DIMENSIONAL FEATURES

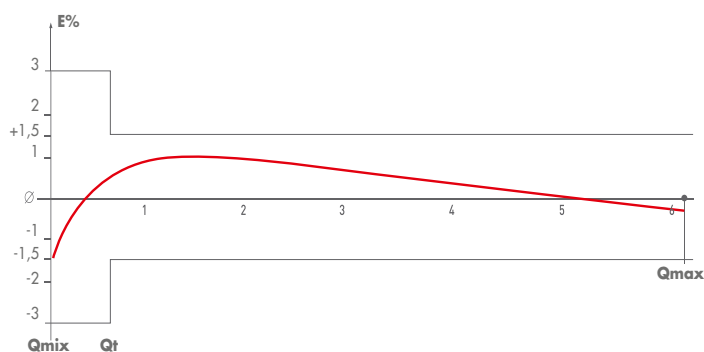
A	(mm)	110
B	(mm)	224
C	(mm)	203
D	(mm)	168,5
E	(mm)	100



## PRESSURE LOSS CURVE



## TYPICAL ERROR CURVE



For more options or information, please contact us

**metrix**italia

Metrix Italia s.r.l.  
Via Nona Strada, 53 - 35129 Padova (Italy)  
Tel: +39 049 5349377 - Fax: +39 049 8076008  
[www.metrixitalia.it](http://www.metrixitalia.it) - E-mail: [info@metrixitalia.it](mailto:info@metrixitalia.it)