

Flanged body steel gas filters

Filtri gas in acciaio flangiati



TYPE SF



TYPE HF



HF DOUBLE CARTR.

TYPE	ALLOWABLE PRESSURE bar	DN CONNECTIONS
G-0.5	250; 40; 16	25 - 32 - 40
G-1	85; 40; 16	25 - 32 - 40 - 50
G-1.5	85; 40; 16	50 - 65 - 80
G-2	40; 16	80 - 100
G-2.5	20; 16	100 - 125
G-3	16	125 - 150
G-4	8	150 - 200
G-0.5 double cartr.	250; 40; 16	25 - 32 - 40
G-1 double cartr.	85; 40; 16	25 - 32 - 40 - 50
G-1.5 double cartr.	46; 40; 16	50 - 65 - 80

Suitable filters for fluids: natural gas, lpg, not aggressive gases

Flange: ANSI1500 - ANSI600- ANSI300- ANSI150 - PN100 - PN65 - PN40 - PN25 - PN16. Min/max allowable temperature -10 +50°C or -10 +100°C, on request -40 +50°C. For filter with different inlet/outlet diameter, the dimension "A" changes according the requested nominal diameter.

Filtering element in needled polyester felt, in stainless steel on request

Degree of filtration cartridge 1; 3; 5; 50 micron nominal on 99% of the particles

Filtri idonei per fluidi: gas naturale, gpl, gas non aggressivi

Flangiatura: ANSI1500 - ANSI600 - ANSI300 - ANSI150 - PN100 - PN65 - PN40 - PN25 - PN16. Temperatura di progetto min/max -10 +50 °C o -10 +100 °C, su richiesta -40 +50 °C. Per filtri con diametro di entrata/uscita diversi la misura "A" cambia in base al diametro nominale richiesto.

Elemento filtrante in feltro di poliestere agugliato, su richiesta in acciaio inox

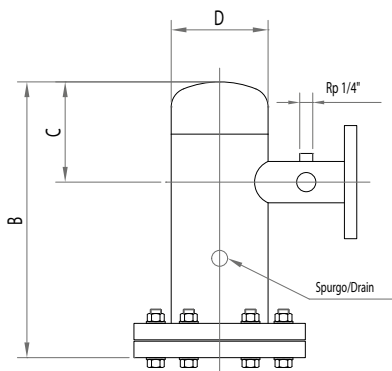
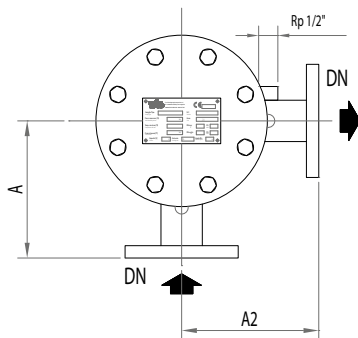
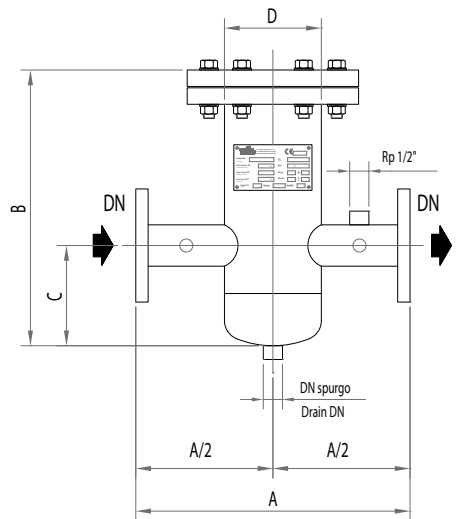
Grado di filtrazione della cartuccia 1; 3; 5; 50 micron nominali sul 99% delle particelle

CODE - HF2	CODE - SF2	CODE - VF2	CONNECTIONS	PN	CARTRIDGE
FL002.2200	FL002.2202	FL002.2205	DN 25x25	16	G 0.5
FL002.2201	FL002.2203	FL002.2206	DN 32x32		
FL002.2210	FL002.2204	FL002.2207	DN 40x40	16	G 1
FL012.2211	FL012.2213	FL012.2215	DN 50x50		
FL012.2212	FL012.2214	FL012.2216	DN 65x65	16	G 1.5
FL022.2220	FL022.2223	FL022.2226	DN 50x50		
FL022.2221	FL022.2224	FL022.2227	DN 65x65	16	G 2
FL022.2222	FL022.2225	FL022.2228	DN 80x80		
FL032.2230	FL032.2232	FL032.2234	DN 80x80	16	G 2.5
FL032.2231	FL032.2233	FL032.2235	DN 100x100		
FL042.2240	FL042.2242	FL042.2244	DN 100x100	16	G 2.5
FL042.2241	FL042.2243	FL042.2245	DN 125x125		

Flanged body steel gas filters

Filtri gas in acciaio flangiati

REF.	HF2-0,5	HF2-1	HF2-1,5	HF2-2	HF2-2,5	HF3-3	HF3-4
A	400	400	450	500	560	760	900
B	310	402	506	600	691	786	976
C	128	146	185	199	242	278	338
D	114	141	168	219	273	324	406
DN Drain	8	15	15	20	20	25	25



REF.	SF2-0,5	SF2-1	SF2-1,5	SF2-2	SF2-2,5	SF3-3
A	200	200	220	260	280	355
A2	190	200	220	260	280	360
B	310	402	506	600	691	786
C	128	146	185	199	242	278
D	114	141	168	219	273	324
DN Drain	8	15	15	20	20	25

REF.	VF2-0,5	VF2-1	VF2-1,5	VF2-2	VF2-2,5
A	200	200	225	250	300
B	400	506	591	703	760
C	200	230	270	300	330
D	114	141	168	219	273
DN Drain	8	15	15	20	20

